

Lashings

Lashing straps

Cargo safety in all vehicles

page 70-75



Ring straps

Universal use and tough

page 76-81



Lashing straps

custom-made

Special straps

Mission Possible

page 82-83



STRAPS & NETS

Lashing straps

The right strap for your application

Transporter

Solid light-weights.

- Made in Germany ▶ developed, tested and manufactured in Engen, Germany
- freely configurable ▶ perfect for your application
- many extras available ▶ customized printing, no minimum order quantity, even with an order of 1 unit



Box

Built for tough applications. Developed for rough applications.

- in compliance with DIN EN 12195-2 ▶ maximum safety for you
- compatible with the new KERL fitting product family ▶ fits almost all vehicles
- highest pre-tensioning forces ▶ high safety with less lashing straps

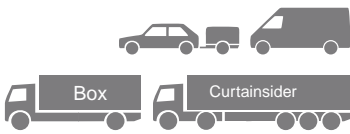


Special

If it's not available, it doesn't exist.

- in-house development and manufacturing ▶ high-quality even for special products
- large selection of components ▶ endless possibilities for custom-made straps
- your strap ▶ your part number – standard at allsafe





STRAPS & NETS

Your customized lashing strap. Compose it yourself:



▶ End fittings



Compose your end fittings to suit your needs. No matter if you use Airline tracks or lashing points we have something for all load capacities. Always with a corrosion-resistant surface. By the way: you can also configure your straps with two different end fittings.

▶ Lock



Choose a lock from our large product range to suit your load, lashing needs, required pre-tensioning force and load capacity. If it's not available, it doesn't exist yet.

▶ Strap appearance



Not just the technical aspects can be selected, but also the visual aspects. Select your favorite colour and we'll take care of the rest.

▶ Strap and label printig

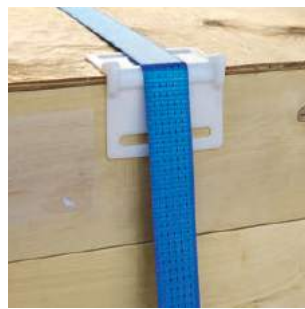
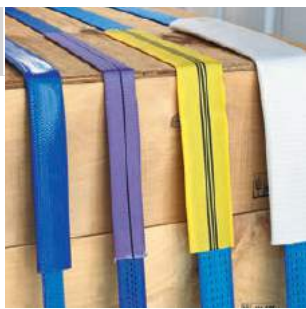
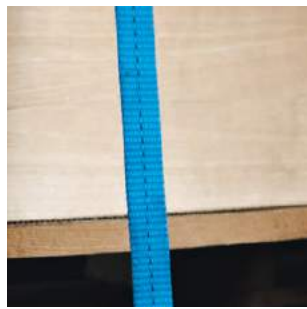


You'd like to have your company name and logo printed on your straps? No Problem. Customized label? We can do it. And all that with a minimum order quantity of one strap! With our standardized QR-Code and our allsafe-App you can easily proof, manage and property calculate your load.

▶ Extras + accessories



Protection pads for the lock protects loads with fragile surfaces, protective sleeves with different properties protect the edges of your load. You select it, we make it.



STRAPS & NETS

3.1 Lashing straps

25 mm lashing straps

Ideal use in transporters and vans. 

► End fitting (different end fitting for loose and fixed end)

1 - End fitting	2 - Lock	3 - Colour / Length	4 - Strap printing	5 - Extras	Order code
 LC 300 daN, L_{min} = 140 mm 511275	 LC 500 daN, L_{min} = 140 mm standard: 310275; stainless: 310280		 LC 1000 daN, L_{min} = 170 mm 511228		
 LC 550 daN, L_{min} = 190 mm 77 034	 LC 650 daN, L_{min} = 120 mm 71 049	 LC 750 daN, L_{min} = 160 mm 71 038	 LC 750 daN, L_{min} = 130 mm with safe guard: 71 026; without: 71 349		
 LC 1100 daN, L_{min} = 180 mm 71 028	 LC 1250 daN, L_{min} = 170 mm 71 104	 LC 500 daN, L_{min} = 180 mm 75 008	 LC 300 daN, L_{min} = 110 mm 71 412		
 LC 150 daN, L_{min} = 110 mm 75012 (bushing 75570)	 LC 300 daN, L_{min} = 120 mm 121008		 loop 200 mm 71 756		

L_{min} means the minimal length of the fixed end.

Select hook position:
mouth up or down

► Lock

✓	2 - Lock	3 - Colour / Length	4 - Strap printing	5 - Extras	Order code
	 LC 400 daN, STF 195 daN Yellow passivated: 71 234; Blue powder coated: 560 438-10		 LC 650 daN, STF 200 daN Silver passivated: 360 013-10 Yellow passivated: 77 036	 LC 1000 daN, STF 170 daN 71 036	
	 LC 350 daN 71 017	 LC 250 daN 512132-10	 LC 250 daN 512132-20	Item no.	

► Colour / Length

✓	✓	3 - Colour / Length	4 - Strap printing	5 - Extras	Order code		
Blue	Red	Grey	Black	Olive	Orange	Green	Colour
Not all colours are available for each lock.							
Total length in mm							Total length
For minimum length of fixed end: see end fitting description. Fixed lengths of 300 mm and above are no problem							Fixed end length

► Strap and label printing

✓	✓	✓	4 - Strap printing	5 - Extras	Order code
A sample of a customized strap and label printing.					
Your individual print on the loose end (allsafe print also available)					Strap print
No strap print					No print
Your individual print on the label					Label print

► Extras

✓	✓	✓	✓	5 - Extras	Order code
Protective lock pad	Label protector (min. fixed end: 400 mm)	Fold-back (avoids unthreading)	Abrasion protection sleeve, blue	Abrasion protection sleeve, purple	

► Sample order code

511263	-	71038	-	71234	-	Olive	-	3800	-	400	-	Strap print	-	Label protector + Fold-back
25 mm lashing		End fitting		Lock		Colour		Total length		Fixed end length		Strap printing		Extras

LC: Take the minimum LC of lock and end fitting to get the overall LC of your lashing strap.

Accessories

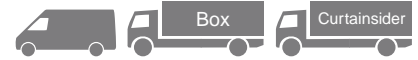
Non-slip mat rolls $\mu = 0,5 - 0,6$ 8 mm thick, 0.25 x 5.0 m: 560088-10 3 mm thick, 0.15 x 20.0 m: 560460-10	Non-slip mats $\mu = 0,5 - 0,6$ approx. 100 x 200 x 8 mm 560381-10	Corner protectors 560261-10

3.1 Lashing straps

35 mm lashing strap

Ideal use in transporters & boxes – the optimal medium size.

► **End fitting** (different end fitting for loose and fixed end)





1 - End fitting	2 - Lock	3 - Colour / Length	4 - Strap printing	5 - Extras	Order code
					511265 + Item no.
LC 300 daN, L _{min} = 150 mm 511275	LC 500 daN, L _{min} = 150 mm 310275	LC 1000 daN, L _{min} = 160 mm AJS*: 511242; AL*: 511228	LC 2000 daN, L _{min} = 180 mm 511227		
					
LC 750 daN, L _{min} = 110 mm 71 022	LC 1250 daN, L _{min} = 210 mm 71 664-10	LC 1500 daN, L _{min} = 190 mm 71 662	LC 2500 daN, L _{min} = 240 mm 71 668		
					
LC 800 daN, L _{min} = 140 mm 71 326	loop 200 mm 71 756				





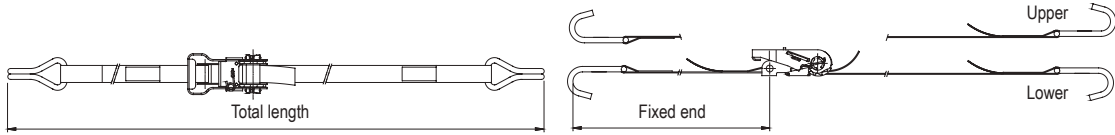
Select hook position:
mouth up or down

L_{min} means the minimal length of the fixed end.
*AJS: AJS- and CTD-keyhole / AL: Airline track



► **Lock**

✓	2 - Lock	3 - Colour / Length	4 - Strap printing	5 - Extras	Order code
					Item no.
LC 1500 daN, STF 225 daN 77 131	LC 225 daN 71 039				






► Colour / Length

✓	✓	3 - Colour / Length	4 - Strap printing	5 - Extras	Order code
					
Blue	Red	Olive	Orange		Colour
Not all colours are available for each lock.					
					
Total length in mm					Total length
For min. length of fixed end: see end fitting description. Fixed length of 400 mm and above are no problem.					Fixed end length

► Strap and label printing

✓	✓	✓	4 - Strap printing	5 - Extras	Order code
					
A sample of a customized strap and label printing.					
Your individual print on the loose end (allsafe print also available)					Strap print
No strap print					No print
Your individual print on the label					Label print

► Extras

✓	✓	✓	✓	5 - Extras	Order code
					
Label protector (min. fixed end: 400 mm)	Fold-back (avoids unthreading)	Abrasion protection sleeve, purple	Abrasion protection sleeve, Heavy-duty		

► Sample order code

511265	-	71022	-	71039	-	Olive	-	3800	-	400	-	Strap print	-	Label protector
35 mm lashing strap		End fitting		Lock		Colour		Total length		Fixed end length		Strap printing		Extras

LC: Take the minimum LC of lock and end fitting to get the overall LC of your lashing strap.

Accessories

		
Non-slip mat rolls $\mu = 0,5 - 0,6$ 8 mm thick, 0.25 x 5.0 m: 560088-10 3 mm thick, 0.15 x 20.0 m: 560460-10	Non-slip mats $\mu = 0,5 - 0,6$ approx. 100 x 200 x 8 mm 560381-10	Corner protectors 560261-10

3.1 Lashing straps

45/50 mm lashing straps

Ideal use in box vans.

► End fitting (different end fitting for loose and fixed end)



1 - End fitting	2 - Lock	3 - Colour / Length	4 - Strap printing	5 - Extras	Order code
LC 1000 daN, L_{min} = 180 mm AJS*: 511242; AL*: 511228	LC 2000 daN, L_{min} = 200 mm 511227	LC 750 daN, L_{min} = 130 mm 71 022	LC 600 daN, L_{min} = 130 mm 71 021; 71 220 (400 daN)**		
LC 2500 daN, L_{min} = 280 mm 71 051 (turned: 71 043)	LC 2500 daN, L_{min} = 210 mm 71 147	LC 2500 daN, L_{min} = 220 mm 71 027	LC 2500 daN, L_{min} = 260 mm 71 668		
				for cam and overcenter buckles	
LC 2500 daN, L_{min} = 290 mm 71 074	LC 1100 daN, L_{min} = 180 mm 71 047	LC 2500 daN, L_{min} = 210 mm 71 062	LC 100 daN, L_{min} = 220 mm 77 201		511266 +Item no.

L_{min} means the minimal length of the fixed end.








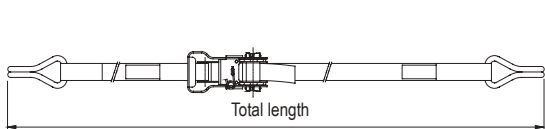
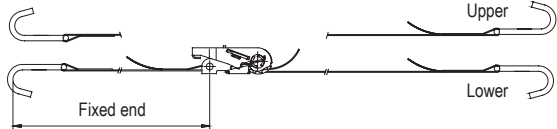
*AJS: AJS- and CTD-keyhole / AL: Airline track ** 71 021 = \varnothing 20 mm / 71 220 = \varnothing 25 mm

Select hook position: mouth up or down



► Lock

✓	2 - Lock	3 - Colour / Length	4 - Strap printing	5 - Extras	Order code
LC 1000 daN, STF 150 daN 71 265	LC 1650 daN, STF 165 daN 71 016	LC 2500 daN, STF 250 daN 71 056			
Long handle LC 2500 daN, STF 400 daN 71 179	Ergo tension ratchet LC 2500 daN, STF 500 daN 77 179	stainless! LC 400 daN 71 299			
LC 750 daN 71 014	LC 1150 daN 71 300	LC 500 daN 71 010			Item no.






► Colour / Length

✓	✓	3 - Colour / Length	4 - Strap printing	5 - Extras	Order code		
							
Blue	Red	Grey	Black	Olive	Orange	Green	Colour
Not all colours are available for each lock.							
							
Total length in mm							Total length
For min. length of fixed end: see end fitting description. Fixed length of 500 mm and above are no problem.							Fixed end length

► Strap and label printing

✓	✓	✓	4 - Strap printing	5 - Extras	Order code
					
A sample of a customized strap and label printing.					
Your individual print on the loose end (allsafe print also available)					Strap print
No strap print					No print
Your individual print on the label					Label print

► Extras

✓	✓	✓	✓	5 - Extras	Order code
					
Protective lock pad on lock	Label protector (min. fixed end: 500 mm)	Fold-back (avoids unthreading)	Abrasion protection sleeve yellow	Abrasion protection Heavy-duty	

► Sample order code

511266	-	71047	-	71056	-	Olive	-	3800	-	500	-	Strap print	-	Label protector
45/50 mm lashing		End fitting		Lock		Colour		Total length		Fixed end length		Strap printing		Extras

LC: Take the minimum LC of lock and end fitting to get the overall LC of your lashing strap.

Accessories

		
Non-slip mat rolls $\mu = 0,5 - 0,6$ 8 mm thick, 0.25 x 5.0 m: 560088-10 3 mm thick, 0.15 x 20.0 m: 560460-10	Non-slip mats $\mu = 0,5 - 0,6$ approx. 100 x 200 x 8 mm 560381-10	Corner protectors 560261-10

3.1 Lashing straps

22/25 mm loop strap

Ideal use in transporters and vans.









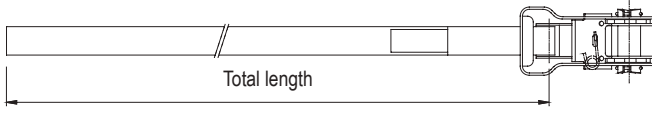


► Lock



1 - Lock	2 - Colour / Length	3 - Strap printing	4 - Extras	Order code
				
LC 800 daN*, STF 390 daN*				
Yellow passivated: 71 234; Blue powder coated: 560 438-10				
				
LC 1300 daN*, STF 400 daN*				
Silver passivated: 360 013-10 Yellow passivated: 77 036				
				
LC 2000 daN*, STF 340 daN*				
71 036				
				511264 + Item no.
LC 600 daN*				
522406				
				
LC 500 daN*				
71 012				
				
LC 600 daN*				
522406				

* Load capacity (LC) for strapping





► Colour / Length

✓	2 - Colour / Length	3 - Strap printing	4 - Extras	Order code			
							
Blue	Red	Grey	Black	Olive	Orange	Green	
	Yellow						
Not all colours are available for each lock.							
 <p>Total length</p>							Total length
Total length in mm							

► Strap and label printing

✓	✓	3 - Strap printing	4 - Extras	Order code
				
A sample of a customized strap and label printing.				
Your individual print on the loose end (allsafe print also available)				
No strap print				
Your individual print on the label				
				Strap print
				No print
				Label print

▶ Extras

✓	✓	✓	4 - Extras	Order code
				
Protective lock pad	Label protector	Abrasion protection sleeve, blue	Abrasion protection sleeve, purple	

▶ Sample order code

511264	- 71036	- Olive	- 3800	- Strap print	- Label protector
25 mm lashing	Lock	Colour	Total length	Strap printing	Extras

LC: Take the minimum LC of lock and end fitting to get the overall LC of your lashing strap.



■ ■ ■ Accessories

		
Non-slip mat rolls $\mu = 0,5 - 0,6$ 8 mm thick, 0.25 x 5.0 m: 560088-10 3 mm thick, 0.15 x 20.0 m: 560460-10	Non-slip mats $\mu = 0,5 - 0,6$ approx. 100 x 200 x 8 mm 560381-10	Corner protectors 560261-10



3.1 Lashing straps

35 mm loop strap

The ideal intermediate size – now also for loop straps.





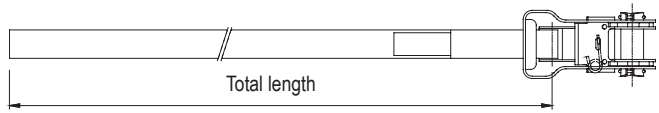
▶ Lock





1 - Lock	2 - Colour / Length	3 - Strap printing	4 - Extras	Order code
				
LC 3000 daN*, STF 450 daN*	LC 450 daN*			511387
77 131	71 039			+ Item no.

* Load capacity (LC) for strapping

▶ Colour / Length

✓	2 - Colour / Length	3 - Strap printing	4 - Extras	Order code
				
Blue	Red	Olive	Orange	Colour
Not all colours are available for each lock.				
				
Total length in mm				Total length

▶ Strap and label printing

✓	✓	3 - Strap printing	4 - Extras	Order code
				
A sample of a customized strap and label printing.				
Your individual print on the loose end (allsafe print also available)				Strap print
No strap print				No print
Your individual print on the label				Label print

▶ Extras

✓	✓	✓	4 - Extras	Order code
				
Protective lock pad	Label protector	Abrasion protection sleeve, blue	Abrasion protection sleeve, purple	

▶ Sample order code

512003	- 71039	- Olive	- 3800	- Strap print	- Label protector
25 mm lashing	Lock	Colour	Total length	Strap printing	Extras



LC: Take the minimum LC of lock and end fitting to get the overall LC of your lashing strap.

■ ■ ■ Accessories

		
Non-slip mat rolls $\mu = 0,5 - 0,6$ 8 mm thick, 0.25 x 5.0 m: 560088-10 3 mm thick, 0.15 x 20.0 m: 560460-10	Non-slip mats $\mu = 0,5 - 0,6$ approx. 100 x 200 x 8 mm 560381-10	Corner protectors 560261-10

3.1 Lashing straps

45 / 50 mm loop strap

The perfect size for box vans – now also for loop straps.








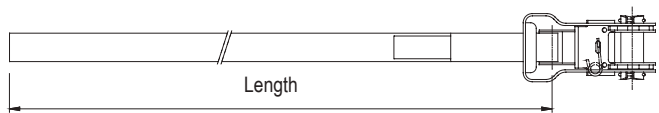


► Lock



1 - Lock	2 - Colour / Length	3 - Strap printing	4 - Extras	Order code
				
LC 1000 daN, STF 150 daN 71 265				
				
LC 1650 daN, STF 165 daN 71 016				
				
LC 2500 daN, STF 250 daN 71 056				
				
LC 2500 daN, STF 400 daN 71 179				
				
LC 2500 daN, STF 500 daN 77 179				
			stainless!	
LC 400 daN 71 299				
				
LC 750 daN 71 014				
				
LC 1150 daN 71 300				
				
LC 500 daN 71 010				
				
LC 350 daN 71 303				512004 + Item no.

* Load capacity (LC) for strapping





► Colour / Length

✓	2 - Colour / Length	3 - Strap printing	4 - Extras	Order code			
							
Blue	Red	Grey	Black	Olive	Orange	Green	Colour
Not all colours are available for each lock.							
							
Total length in mm							Total length

▶ Strap and label printing

✓	✓	3 - Strap printing	4 - Extras	Order code
				
<p>A sample of a customized strap and label printing.</p>				
Your individual print on the loose end (allsafe print also available)				Strap print
No strap print				No print
Your individual print on the label				Label print

▶ Extras

✓	✓	✓	4 - Extras	Order code
				
Protective lock pad	Label protector	Abrasion protection sleeve, blue	Abrasion protection sleeve, purple	

▶ Sample order code

512004	-	71056	-	Olive	-	3800	-	Strap print	-	Label protector
50 mm lashing		Lock		Colour		Total length		Strap printing		Extras

LC: Take the minimum LC of lock and end fitting to get the overall LC of your lashing strap.



■ ■ ■ Accessories






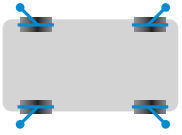









		
<p>Non-slip mat rolls $\mu = 0,5 - 0,6$ 8 mm thick, 0.25 x 5.0 m: 560088-10 3 mm thick, 0.15 x 20.0 m: 560460-10</p>	<p>Non-slip mats $\mu = 0,5 - 0,6$ approx. 100 x 200 x 8 mm 560381-10</p>	<p>Corner protectors 560261-10</p>

3.1 Lashing straps

Lashing straps · Special designs

Suitable for many different applications.

► Some examples of individual applications.

			Order code
	<p>Automobile tie-down</p>  	LC 1 600 / STF 220 daN	79016/668-2000-0200 (Automobile ≤ 18" tires) 79016/668-3000-0200 (SUV and automobile > 18" tires)
	<p>Automobile tie-down</p>  	LC 2 500 daN	510388-20 (Suitable for tires approx. 570-630 mm, e.g. 175/55 R15 to 295/30 R18)
	<p>Automobile tie-down with strap controller</p>  	LC 1 500 / STF 225 daN	510496-0001 (Automobile ≤ 18" tires) 510496-0008 (SUV and automobile > 18" tires)
	<p>Motorcycle lashing strap using the handlebar (with scratch protection)</p> 		510358-10
	<p>Motorcycle compatible with ratchet straps</p>  <p><i>2 pcs. required</i></p>	650 daN	511263-2392
	<p>Container strap</p> 	2500 daN	79902

► Sample order code

Container strap - 79902




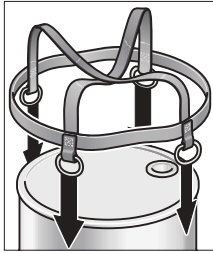
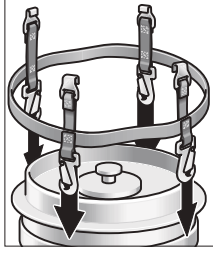
■ ■ ■ Lashing straps · Special requirements

Are you looking for a lashing strap solution for a special requirement? No problem! Talk to us – we'll make it happen. We manufacture everything in Germany, in our own factory. This allows us to offer a large selection of locks and fittings for our straps – custom-made for your specific application.

Special requirements: Challenge us!



► ROLF · Load restraint system for cylindrical loads

Artikel		Order code
ROLF-Set 1	 <p>to be used for cylindrical loads:</p> <ul style="list-style-type: none"> ■ 4 x round harnesses (50 mm webbing) with 4 snap hooks ■ 2 x matching ratchetbuckle straps (50 mm webbing) ■ 2 x Y-strap 	511686-10 diameter max. 105 cm height max. 185 cm
ROLF-Set 2	 <p>to be used for cylindrical loads:</p> <ul style="list-style-type: none"> ■ 4 x round harnesses (50 mm webbing) with rings ■ 2 x matching ratchetbuckle straps (50 mm webbing) ■ 2 x Y-strap 	511686-30 diameter max. 105 cm height max. 185 cm
ROLF-Set 3	 <p>to be used for cylindrical loads with flange:</p> <ul style="list-style-type: none"> ■ 4 x round harnesses (50 mm webbing) with 4 flat hooks ■ 2 x matching ratchetbuckle straps (50 mm webbing) ■ 2 x Y-strap 	511686-20 diameter max. 105 cm height max. 185 cm